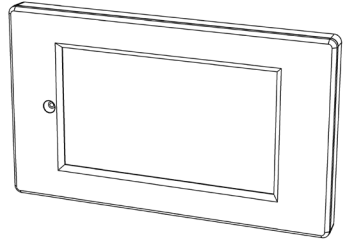


The RE657WF Flat Mount Touchpad is an intuitive interface for controlling the Connect+ security system. Designed to cover unsightly marks, the Flat Mount Touchpad is well suited for takeover situations. It is AC powered and communicates with the panel wirelessly.

Features

- Vibrant 7" Android™ tablet display
- Provides local control of security and automation functionality
- Expanded footprint for covering marks left by pre-existing keypads
- Encrypted, Connect+ enabled, battery-backed Wi-Fi™ connection

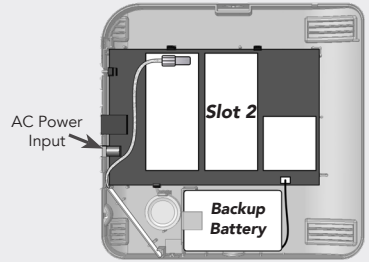


Installation Overview

1. **Confirm the panel has a Wi-Fi DeviceLink card installed.**

Installing the Wi-Fi DeviceLink Card

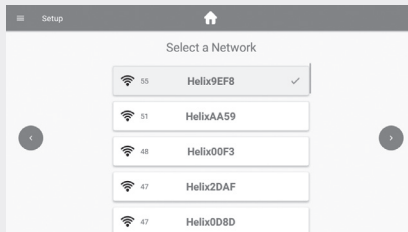
- Disconnect the panel's AC power and backup battery.
- Install the Wi-Fi DeviceLink card in **Slot 2** by carefully aligning the nylon retention posts and the 8-pin connector while pushing the card firmly until all posts are fully seated.
- Reconnect the panel's AC power and backup battery.
- Verify the Wi-Fi card LEDs are on.



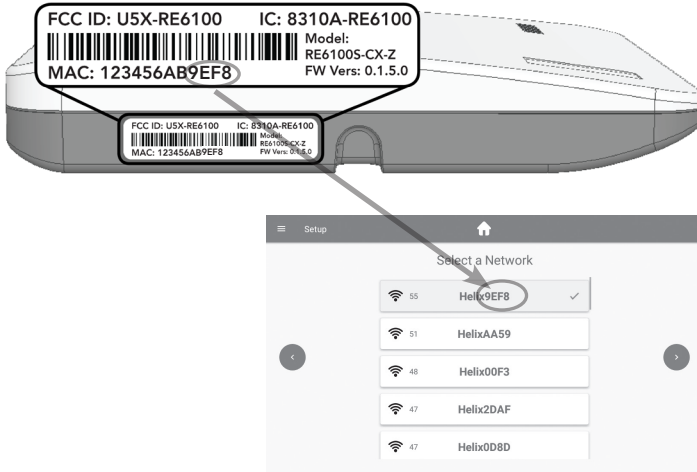
2. **Verify signal strength** at the desired location before mounting it permanently.

Verifying Signal Strength

1. Make sure the panel is powered and the Wi-Fi DeviceLink card is installed.
2. Power up the Touchpad.
3. Select the "Connect" option to see the available networks. If the "Connect" option is not available, press "Setup" then "Factory Default".
4. If the signal strength displayed is less than 35, relocate Touchpad or Connect+ panel. If neither options are available, install an RE621 Touchpad Range Extender.



3. **Finish mounting the Touchpad.** See Touchpad Mounting for detailed instructions.
4. **Enroll the Touchpad** by pressing the enroll button on the side of the panel until it beeps once and pressing "Connect" on the Touchpad. Then select the desired panel on the Touchpad. Note, the Touchpad will list all panels within range, not just the ones in enrollment mode. The network "names" will include the last 4 digits of the MAC Address printed on the panel label.



After selecting the desired panel, the Touchpad will progress through stages of discovery and authentication. Upon success it will show the DISARMED screen. If the wrong panel was selected, press the "Restart" button in the side menu.

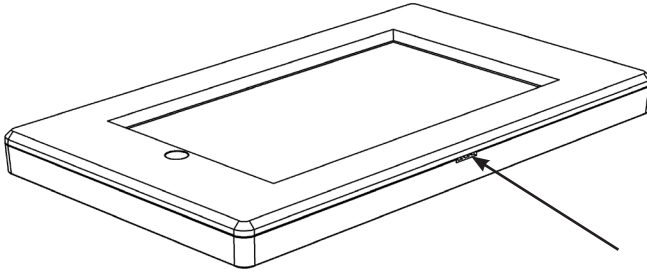
Troubleshooting Steps if Enrollment Fails:

- Confirm the panel is disarmed and in wireless enrollment mode. A red light will flash on the panel if in wireless enrollment mode.
- Check whether the panel is already full. The limit is four Touchpads. To confirm number of Touchpads connected, log into your account.
- Tap the "Restart" button to try again.

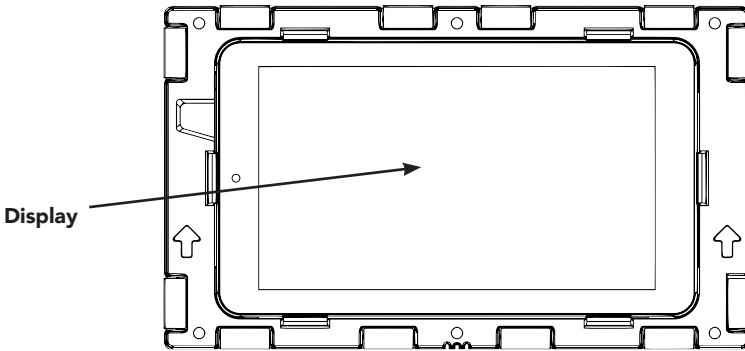
5. **Test the Touchpad** by arming and disarming the panel from the Touchpad.

Touchpad Mounting

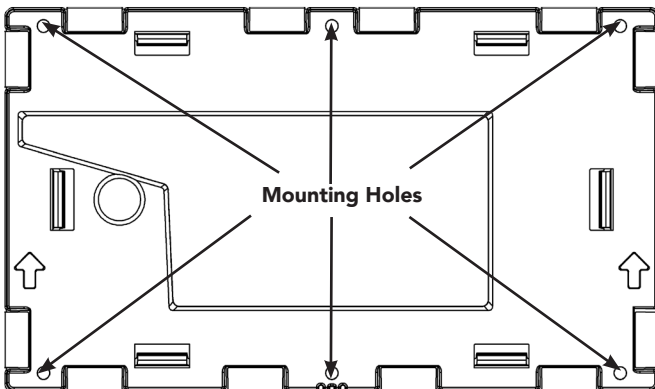
1. **Open the enclosure** by lifting at the single point with a flathead screw driver at the location shown below.

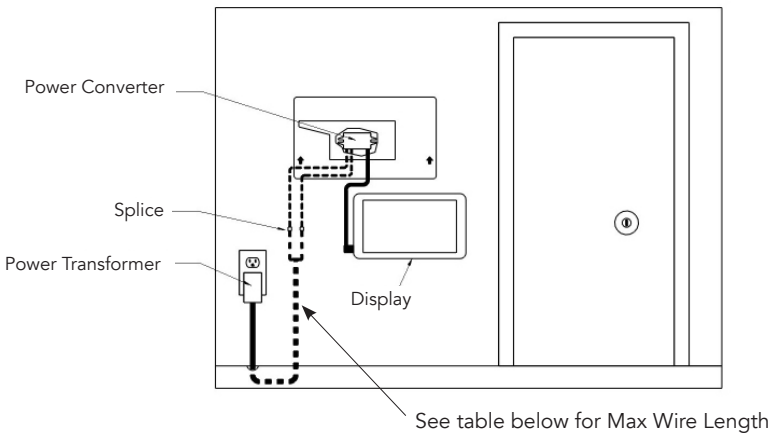


2. **Remove the display** by pulling it out of the back plastic.



3. **Mount the enclosure to the wall** using the screw holes in the enclosure. Insert the wall anchors prior to securing the screws in place.

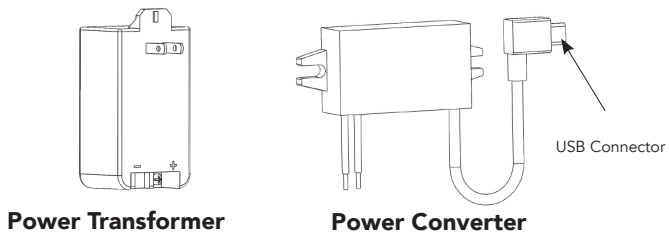




4. **Pull wire from touchpad** to AC outlet. If replacing an existing touchpad, existing wiring can be used; however, new touchpad must be powered by supplied 12V DC power transformer. Do not power from existing panel.

| WIRE GAUGE | MAXIMUM WIRE LENGTH BETWEEN POWER TRANSFORMER AND TOUCHPAD |
|------------|--|
| #24 | Up to 50 feet |
| #22 | Up to 75 feet |
| #20 | Up to 125 feet |
| #18 | Up to 200 feet |
| #16 | Up to 300 feet |

5. **Connect wire** to provided power transformer.
NOTE: Power Converter must be powered by supplied 12V DC Power Transformer. Do not power from existing panel or other power supply.
6. **Splice power converter** wires to wires pulled from AC outlet.

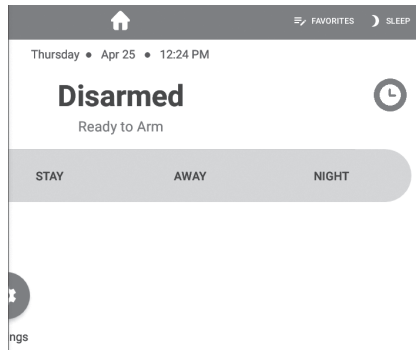


7. **Ensure correct** polarity. Red wire must connect to +12V of power transformer.
8. **Plug USB connector** into the display.
9. **Place power converter** and excess wire inside the wall.
10. **Snap the display** into the back plastic (ensure camera is on the left side).
11. **Align the front cover** and snap into place.
12. **Plug in the Power Transformer** and ensure the display lights up. If display does not light up, unplug power transformer and verify wire polarity.

Menu Guide

alula™

- Dashboard
- Security
- Scenes
- Devices
- System
- Settings



Security

- History - shows event history
- Attention - shows all opened, bypassed, or troubled zone. Zones can be bypassed or activated by pressing the toggle to the right of the zone name.

Scenes

- Create scenes from the Touchpad by clicking the "+ Add" button
- Enable/disable scenes with the toggle button
- Navigate to the edit scene page by selecting an item in the list
- Rename a scene by selecting the name label in the top bar
- Modify the scene by adding/removing triggers and actions

Devices

- Add/Remove Z-Wave® devices using the "+ Add" or "- Remove" buttons in the app bar
- Lock and unlock Z-Wave door locks
- Turn Z-Wave lights on and off
- Set dimmer level for Z-Wave dimmer switches
- Open and close Z-Wave garage door openers
- Control Z-Wave thermostats

****PLEASE SEE Z-WAVE USER GUIDE FOR ADDITIONAL INFORMATION****

System

• Panel

- Troubles - shows all system troubles
- Status - shows all status updates

• Touchpad

- Battery - shows battery level and charging information
- Network - shows network the Touchpad is connected to
- Access point MAC
- Wi-Fi signal strength - must not be less than 35
- Response Time
- Wi-Fi channel
- Touchpad Firmware
- Touchpad Hardware
- Updater Firmware
- Serial Number
- Uptime
- FCC/IC information

Menu Guide (Continued)

Settings

• **Display**

- Brightness - adjust slide bar to change brightness level
- Auto sleep display - when enabled the Touchpad screen will go to sleep after programmed period of inactivity. When disabled the Touchpad screen will stay on and show the system overview page.
- Entry wake - when enabled the screen will turn on during entry delay
- Clean screen - ignores touch input on the screen for 30 seconds to allow user to clean the screen

• **Sound** - adjust slide bar to change volume level

• **Touchpad** (must enter code to access)

- Show Favorites - display favorites menu that shows frequently used zones, scenes, and devices on dashboard
- Show Panics - ability to turn off individual panics (this option can only be viewed when using installer or dealer code)
- Lock to Dashboard
 - When enabled only the dashboard menu can be accessed without an access code
 - When disabled no access code is needed to navigate outside of dashboard
- Return to dashboard - specifies time of inactivity before Touchpad will automatically return to dashboard
- Dock - specify the items to be displayed in the bottom dock
- Temperature Scale - option for displaying °F or °C
- Power off

• **Panel** (must enter code to access)

- Sensor Chime - enables or disables panel sensor chime mode
- Keypads - lists the panel's keypads
 - Rename keypads by selecting an item on the list and holding it for 2 seconds
- Communication Test mode
 - The Touchpad will begin testing communications and display "TESTING"
 - After one minute, the Touchpad will show the result of the test which will be either "GOOD," "FAIR," OR "POOR"
 - If you get a "POOR" test result, try the test again from another location
 - The table below lists the thresholds used to determine the outcome of the test
 - If any statistic falls in the poor range, the test outcome is "POOR"
 - If there are no poor statistics and any statistic is in the fair range, the outcome of the test is "FAIR"
 - If all statistics are in the good range, the outcome of the test is "GOOD"

| Statistic | Unit | GOOD | FAIR | POOR |
|----------------------------|-------------|-------------|-------------|-------------|
| Wi-Fi Signal Strength | dB | Over 39 | 35 to 39 | Under 35 |
| Communication Success Rate | % | Over 89 | 85 to 89 | Under 85 |
| Response Time Average | ms | Under 200 | 200 to 250 | Over 250 |

Menu Guide (Continued)

Settings (Continued)

- **Panel** (Continued)

- Check for updates - this will tell the panel to check for any system updates
- Z-Wave
 - Join/Leave Another Z-Wave Network - the panel can be placed into Z-Wave inclusion or exclusion mode to allow it to join/ leave existing Z-Wave networks.
 - Soft Reset - a soft reset will reset the Z-Wave controller software. All Z-Wave devices will remain enrolled.
 - Hard Reset - this action will cause your Connect+ Z-Wave module to be restored back to the default state. Warning: Performing this action results in all Z-Wave devices being removed from this Z-Wave controller. To add them back, you will first need to exclude them, and then include them again.

****PLEASE SEE Z-WAVE USER GUIDE FOR ADDITIONAL INFORMATION****

- About - lists information about the panel's installed hardware and software

Home Screen Functions

The headline indicates panel status such as "Disarmed" or "Armed Stay"

Tap or slide to view Side Menu

Tap to mute beeps during arm/disarm action

Tap to view Panic options and then press desired Panic option for two seconds to trigger

Detailed description: This screenshot shows the top portion of the home screen. At the top is a dark header bar with 'Dashboard', a home icon, 'FAVORITES', and 'SLEEP'. Below the header, the date and time 'Wednesday • Oct 31 • 1:16 PM' are displayed. The main status is 'Disarmed' in large bold text, with 'Ready to Arm' underneath. A large shield icon with a diagonal slash is on the left. Below this are three buttons: 'STAY', 'AWAY', and 'NIGHT'. At the bottom are three circular icons labeled 'Panics', 'Security', and 'Settings'. A speaker icon is in the top left corner.

The time zone is configured online

Tap to turn the Touchpad's display off

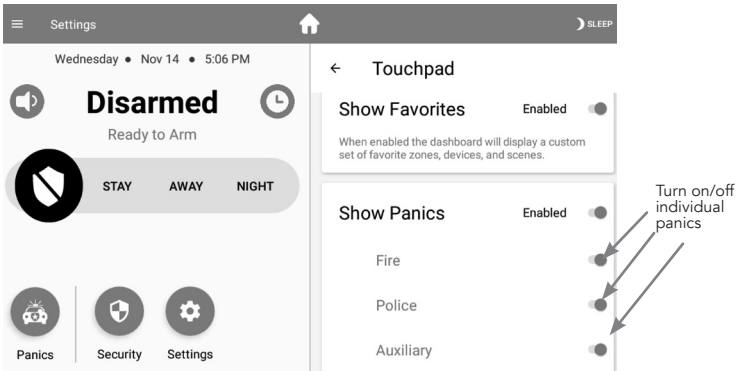
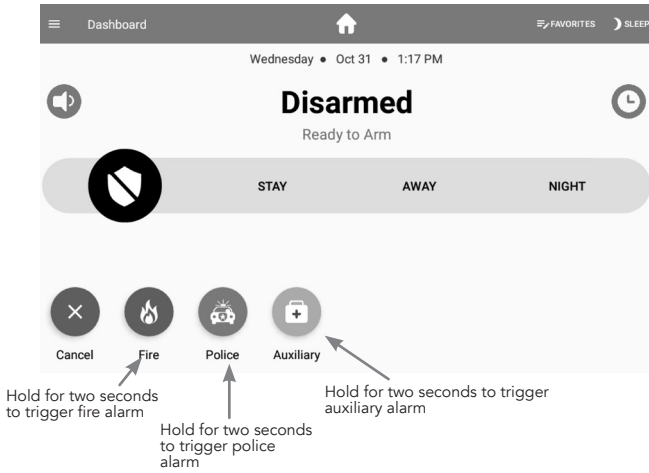
Tap to view selected favorite Zones, Devices, and Scenes

Tap to disable entry delay

Tap one of the arming buttons to arm the panel

Detailed description: This screenshot shows the same home screen as above but with several annotations. An arrow points to the date and time 'Wednesday • Oct 31 • 1:16 PM' with the text 'The time zone is configured online'. An arrow points to the 'SLEEP' button in the top right with the text 'Tap to turn the Touchpad's display off'. An arrow points to the 'FAVORITES' button with the text 'Tap to view selected favorite Zones, Devices, and Scenes'. An arrow points to the clock icon in the top right with the text 'Tap to disable entry delay'. An arrow points to the 'STAY', 'AWAY', and 'NIGHT' buttons with the text 'Tap one of the arming buttons to arm the panel'.

Panic Functions



Pro Tips

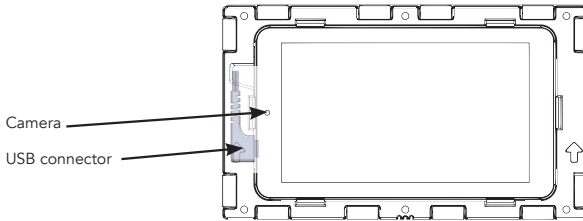
The Touchpad display turns off on its own after specified allotted time of inactivity (Auto sleep display setting). It will turn back on when the screen is touched, or for some alarm conditions. The screen can also be turned off manually by pressing "Sleep."

The Touchpad volume can be changed in the Settings screen. The physical volume rocker switch on the top left side of the Touchpad is **not** enabled.

The Touchpad can be rebooted by holding the power button on the top left side of the display for several seconds; however, this should never be required.

To unenroll the Touchpad navigate to the Settings menu and then to the section labeled "Panel." Put the panel into wireless enrollment mode and press the unenrollment button. Note: The unenrollment button is displayed only when the panel is in enrollment mode.

When adding display into enclosure, camera should be on the left side.



THIS PAGE IS INTENTIONALLY LEFT BLANK

Specifications

| Physical Specifications | |
|--------------------------------|--|
| Dimensions | 5.39in[13.68cm] x 9.15in[23.23cm] x 0.66in[1.68cm] |
| Weight | 1.02lbs [463 grams] |
| Pilot Hole for Screw into Wood | Ø 1/8in [3mm] |
| Pilot Hole for Wall Anchor | Ø 3/16in [4.7mm] |
| Mounting Fasteners | #6 screws & 4 wall anchors [included] |
| Environmental Specifications | |
| Operating Temperature | 32°F to 120°F [0°C to 49°C] |
| Maximum Humidity | 85% non-condensing relative humidity |
| Device Specifications | |
| Battery Life | 4 hours |
| Power Transformer | |
| Input | 100-120V AC, 60Hz, .8A |
| Output | 12V DC, 2.0A |
| Part Number | RE012-17 |
| Power Converter | |
| Input | 8-22V DC |
| Output | 5V DC, 3A Max |
| Wireless Range | ~300 feet in open air |
| Screen Resolution | 1024 x 600 pixels |
| Screen Size | 7 inches diagonally |
| Accessories | |
| Wi-Fi DeviceLink | RE926RX |
| Certifications | |
| RE657WF | FCC, IC |

Specifications subject to change without notice

IC NOTICE

This device complies with Industry Canada license-exempt RSS standard(s). Operation is subject to the following two conditions:

- (1) This device may not cause interference, and
- (2) This device must accept any interference, including interference that may cause undesired operation of the device.

Le présent appareil est conforme aux cnr d'Industrie Canada applicables aux appareils radio exempts de licence. L'exploitation est autorisée aux deux conditions suivantes:

- (1) L'appareil ne doit pas produire de brouillage, et
- (2) L'utilisateur de l'appareil doit accepter tout brouillage radioélectrique subi, même si le brouillage est susceptible d'en compromettre le fonctionnement.

FCC NOTICE

This device complies with Part 15 of the FCC rules. Operation is subject to the following two conditions:

- (1) This device may not cause harmful interference.
- (2) This device must accept any interference that may be received, including interference that may cause undesired operation.

Changes or modifications not expressly approved by Alula could void the user's authority to operate this equipment.

TRADEMARKS

Alula and Connect+ are trademarks owned by Alula Holdings, LLC.

Z-Wave is a registered trademark of Silicon Labs.

Android is a trademark of Google LLC.

Wi-Fi is a trademark of The Wi-Fi Alliance.